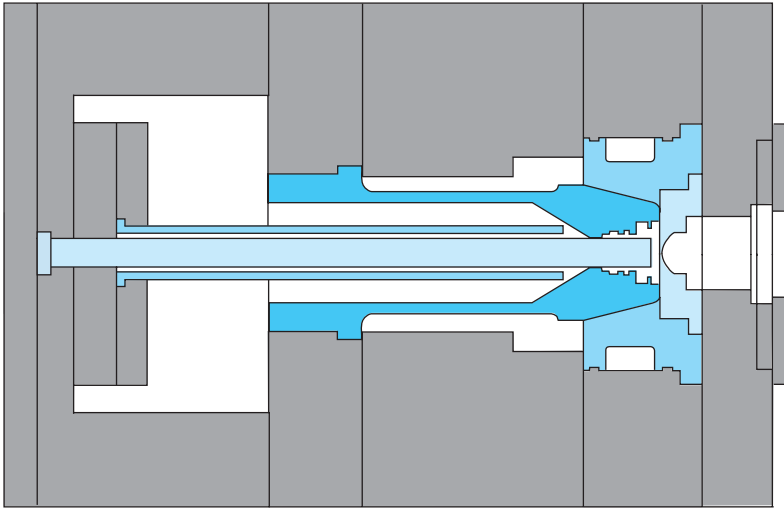
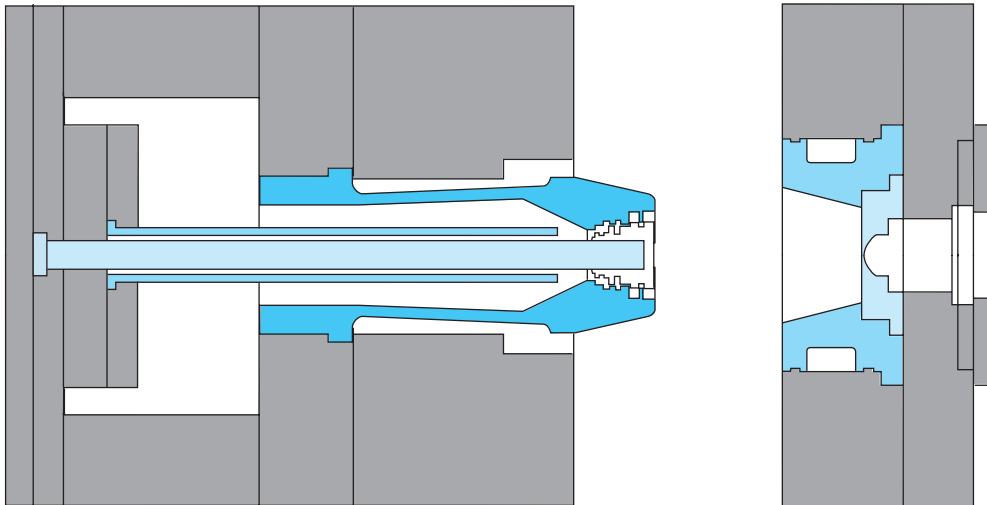


Typical Operating Sequence

Mold Closed



Mold Open, Cavity Expanded



Ejector Forward, Part Ejected

